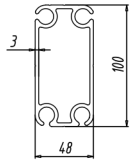
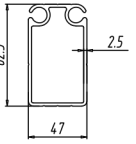
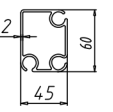
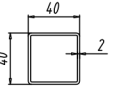
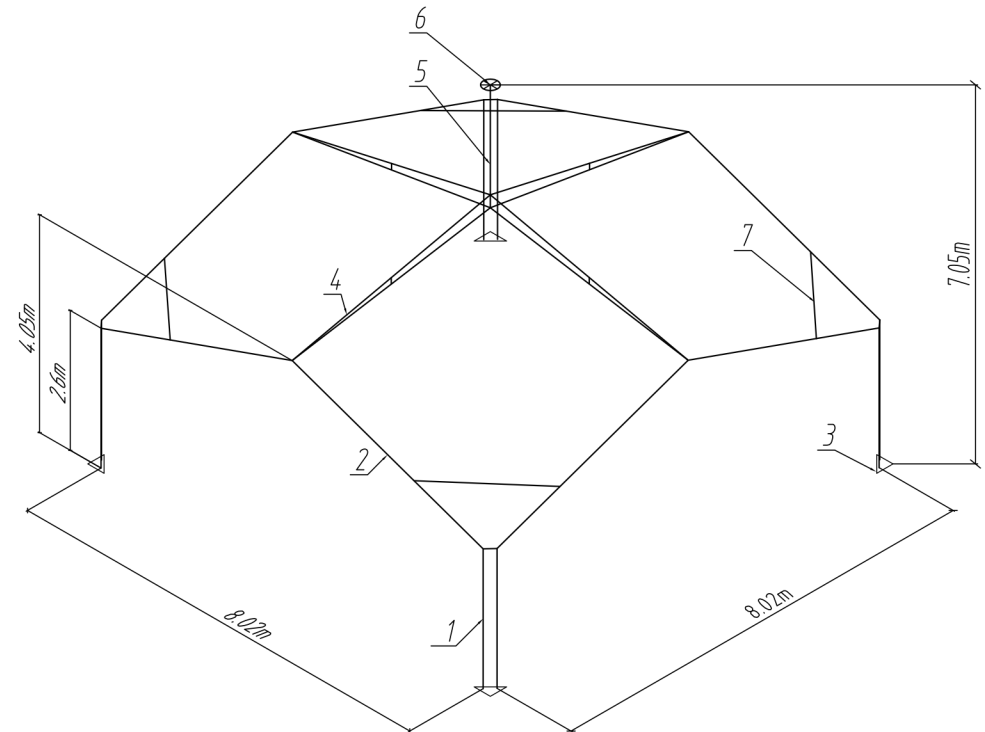
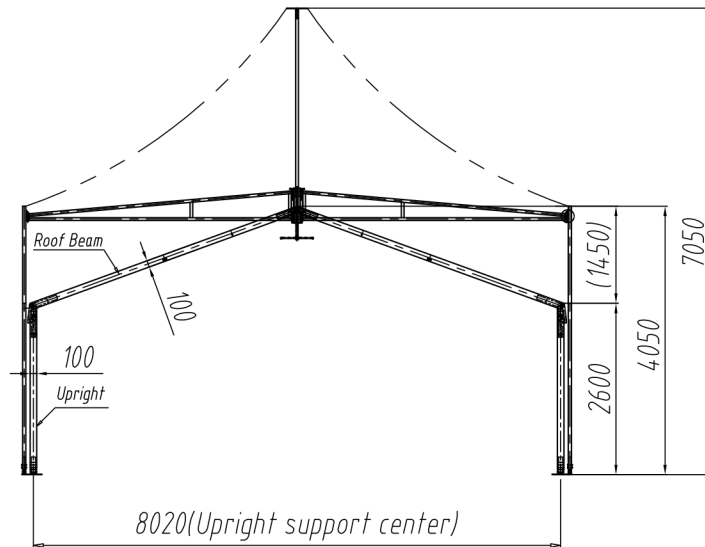


# 8m×8m New Party Tent

MAIN PROFILE SIZE				
Purpose	Upright Roof Beam	Gable pole	Eave purlin Gable beam	Ridge purlin Intermediate purlin



7	Intermediate purlin	40×40×3008	ALU 6061/T6	4pcs
6	Upper cap	Φ316	Q235	1pc
5	Center pole	Φ4.1×2700	Q235	1pc
4	Bevel beam	448×40×3990	Q235	4pcs
3	Base plate	260×70×68	Q235	4pcs
2	Roof Beam	100×48×4250	ALU 6061/T6	4pcs
1	Upright	100×48×2450	ALU 6061/T6	8pcs
Item	Name of part	Size(mm)	Material	Quantity

					type	NPT8x8/260	Part NO. NPT8x8/260-002
					title	Structure	
					material	ALU 6061/T6	
tag	item	change paper number	sign	date			
design			standardization				
drawing	LXQ		approve				
Auditing							
technics			date	11.07.12			

